



ATLANTA

Model No. FBFR**MN

**** denotes fascia variant**

RADIANT BALANCED FLUE GAS FIRE

User Instructions

These instructions should be read by the user before operating the appliance and retained for future reference

This appliance is only for use on Natural Gas (G20) at a supply pressure of 20 mbar in G.B. / I.E

INSTALLATION INFORMATION

CONDITIONS OF INSTALLATION

It is the law that all gas appliances are installed only by a competent (e.g. GAS SAFE Registered) Installer, in accordance with the installation instructions and the Gas Safety (Installation and Use) Regulations 1998 as amended. Failure to install appliances correctly could lead to prosecution. It is in your own interest and that of safety to comply with the law.

The fire may be fitted below a combustible shelf provided that the shelf is at least 200mm above the top of the appliance and the depth of the shelf does not exceed 150mm.

The fire may be installed below combustible shelves, which exceed 150mm deep providing that the clearance above the fire is increased by 15mm for each 25mm of additional overhang in excess of 150mm.

If appliances burning fuels other than gas have previously used the chimney or flue they must be swept prior to the installation of this fire.

If this appliance is fitted directly on to a wall without the use of a fireplace or surround, soft wall coverings such as wallpaper, blown vinyl etc. could be affected by the heat and may discolour or scorch. This should be considered when installing or decorating.

The Model number of this appliance is as stated on the rating plate on the firebox base and it is manufactured by: -

BFM Europe Ltd.
Trentham Lakes
Stoke-on-Trent
Staffordshire
ST4 4TJ

Telephone 01782 339000

ABOUT YOUR NEW ATLANTA GAS FIRE

The Atlanta radiant gas fire incorporates a unique and patented combustion system that creates a flame picture never seen before in any radiant gas fire, whilst providing class leading levels of efficiency and safety. The technology used is completely new and has many benefits over existing fires, so please take the time to fully read these instructions, as you will then be able to obtain the most effective and safe operation of your fire.

When first using the new fire a slight smell may be noticed. This is due to small deposits of oil on the firebox, but will soon disappear.

IMPORTANT SAFETY INFORMATION

WARNING

This appliance has a naked flame and as with all heating appliances a fireguard should be used for the protection of children, the elderly and infirm. Fireguards should conform to BS 8423 : 2002 (Fireguards for use with solid fuel appliances).

Servicing should be carried out annually by a competent person such as a GAS SAFE registered engineer. It is a condition of the Flavel guarantees that this is carried out by a competent person i.e. a GAS SAFE registered Engineer in accordance with these servicing notes

For continued safe operation of the fire the pilot assembly must be replaced at the annual service. These are available from BFM Europe Ltd. at a specially discounted price to encourage routine renewal and ensure continued safe and trouble free operation. Pilot renewal is also a condition of the above guarantee schemes.

The service should include visually checking the fire opening for accumulations of debris.

After any servicing work a gas tightness check must always be carried out.

Always keep furniture and combustible materials well clear of the fire and never dry clothing or items either on or near to the fire. Never use aerosols or flammable cleaning products near to the fire when it is in use.

The glass remains hot for a considerable period after use and sufficient time should be allowed for the fire to cool before cleaning etc.

The fire must only be operated with the contemporary trim and ash pan cover as supplied with the fire and these must always be in position when the fire is used.

OPERATING THE FIRE

The controls are located behind the ashpan cover. The controls, comprise a control valve to adjust the gas flow and a push button piezo igniter. To light the fire proceed as follows: -

- 1) Depress the control knob and turn anti-clockwise to the position marked pilot. Hold in the control knob for a few seconds to allow the gas to reach the pilot.
- 2) Continue to hold-in the control knob and press the igniter button. If the pilot does not light, continue to press the igniter button until ignition occurs. The pilot flame can be seen by looking down through the glass above the centre of the burner heat shield. When the pilot has lit, continue to hold the control knob in for 5-10 seconds to allow the thermocouple to heat up, if the pilot goes out when the control knob is released, repeat the lighting sequence.
- 3) After lighting, turn the control knob in the anti-clockwise direction to the high position and the main burner will light.
- 4) The gas control can be turned clockwise from the maximum position to give the desired heat output.
- 5) To turn the fire off, push in and turn the control valve fully clockwise in to the off position. the burner and pilot will go out.

NOTE : AFTER LIGHTING THE FIRE, THE FLAMES MAY SEEM TO BE LOW. THIS WILL LAST FOR APPROX 10 MINUTES WHILST THE APPLIANCE IS WARMING UP.

WARNING

If the fire goes out for any reason or is turned off and it is necessary to re-light the fire . It is important to allow the fire to cool for 3 minutes before attempting to re-light it.

NOTE : THIS APPLIANCE IS DESIGNED TO WORK SAFELY AND EFFECTIVELY DURING ADVERSE WEATHER CONDITIONS. HOWEVER, DURING SUCH TIMES FLAME DISTURBANCE MAY BE NOTICED. THIS IS NORMAL AND DOES NOT EFFECT OR IMPAIR THE SAFETY OF THE APPLIANCE.

WHEN TURNING THE FIRE “OFF” PLEASE ENSURE THAT THE CONTROLVALVE IS TURNED TO THE “OFF” POSITION AND THE PILOT FLAME IS EXTINGUISHED. DO NOT LEAVE THE PILOT FLAME ONLY LIT.

CLEANING

WARNING

Before attempting any cleaning operation ensure that the fire has been allowed to fully cool.

CLEANING THE STAINLESS AND PAINTED METAL PARTS.

The trim fitted to this appliance is stainless steel, and must only be cleaned with a clean, damp cloth. Black painted metal parts should be gently cleaned with a damp cloth. **Abrasive cleaners, chemical cleaning agents or any type of polish must never be used as damage to the paint may result.**

Removing the Fascia

The trim is secured to the appliance with magnets and therefore can be simply lifted from the fire.

WARNING

If the glass on the appliance is damaged or removed the fire must not be ignited.

CLEANING THE GLASS.

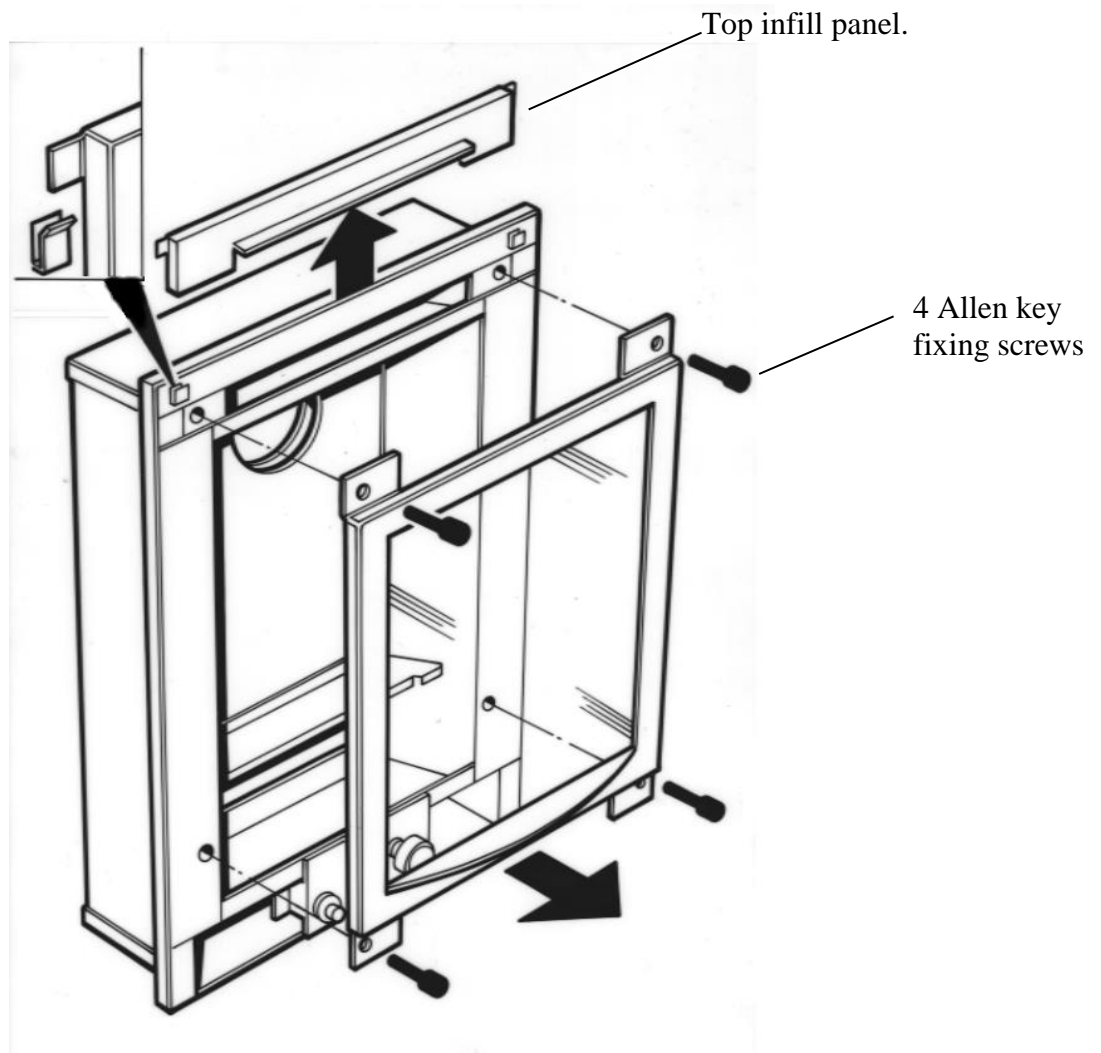
To clean the glass panel, first ensure that the fire is cool, **please note that the glass panel will remain hot for a considerable period when the fire has been switched off.**

To remove the glass panel, follow the instructions overpage for removal and re-fitting.

To glass panel should be cleaned gently with a soft damp cloth and glass cleaner.

DO NOT UNDER ANY CIRCUMSTANCES ATTEMPT TO CLEAN THE GLASS PANEL WHEN THE APPLIANCE IS RUNNING.

REMOVAL & REFITTING OF THE GLASS FRAME.



- a) Remove the fascia & ashpan cover from the firebox.
- b) Remove the pilot heat shield which is held in place at each end by 1 screw.
- c) Remove the top infill panel by sliding it upwards out of the clips.
- d) Obtain the allen key which is located at the bottom left hand side of the firebox.
- e) Loosen each allen bolt a small amount at a time to prevent damage to the glass panel. When all the allen bolts have been removed, lift away the glass frame and clean as per the previous page.
- f) Refit the glass panel to the firebox, again tightening each bolt a small amount at a time to prevent stressing the glass panel. Fully tighten all the bolts to ensure good compression on the glass panel.
- g) Refit the fascia & ashpan cover to the firebox.

Due to our policy of continual improvement and development the exact accuracy of descriptions and illustrations cannot be guaranteed

**B-1004453
Issue 1**



BFM Europe Ltd.
Trentham Lakes
Stoke-on-Trent
Staffordshire
ST4 4TJ

www.bfm-europe.com

Telephone (01782) 339000
Telephone (Service) (01782) 339008